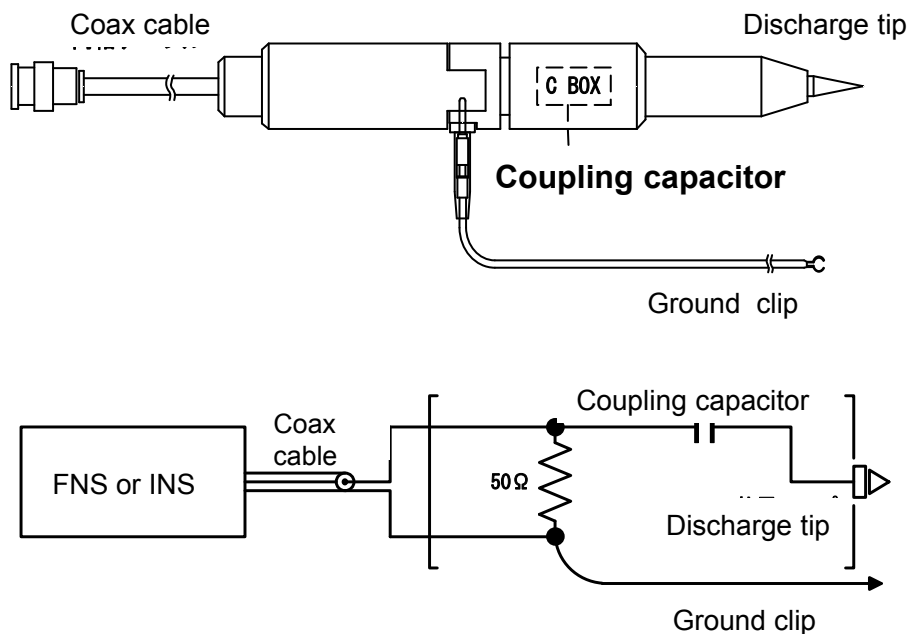


## Noise injection probe Model: 01-00034A

### 1. Purpose

The Unit enables noise injection to minute places, e.g. a pin of component on PCB with Noise Laboratory's FNS and INS series as a noise generator.

### 2. Structure of the unit

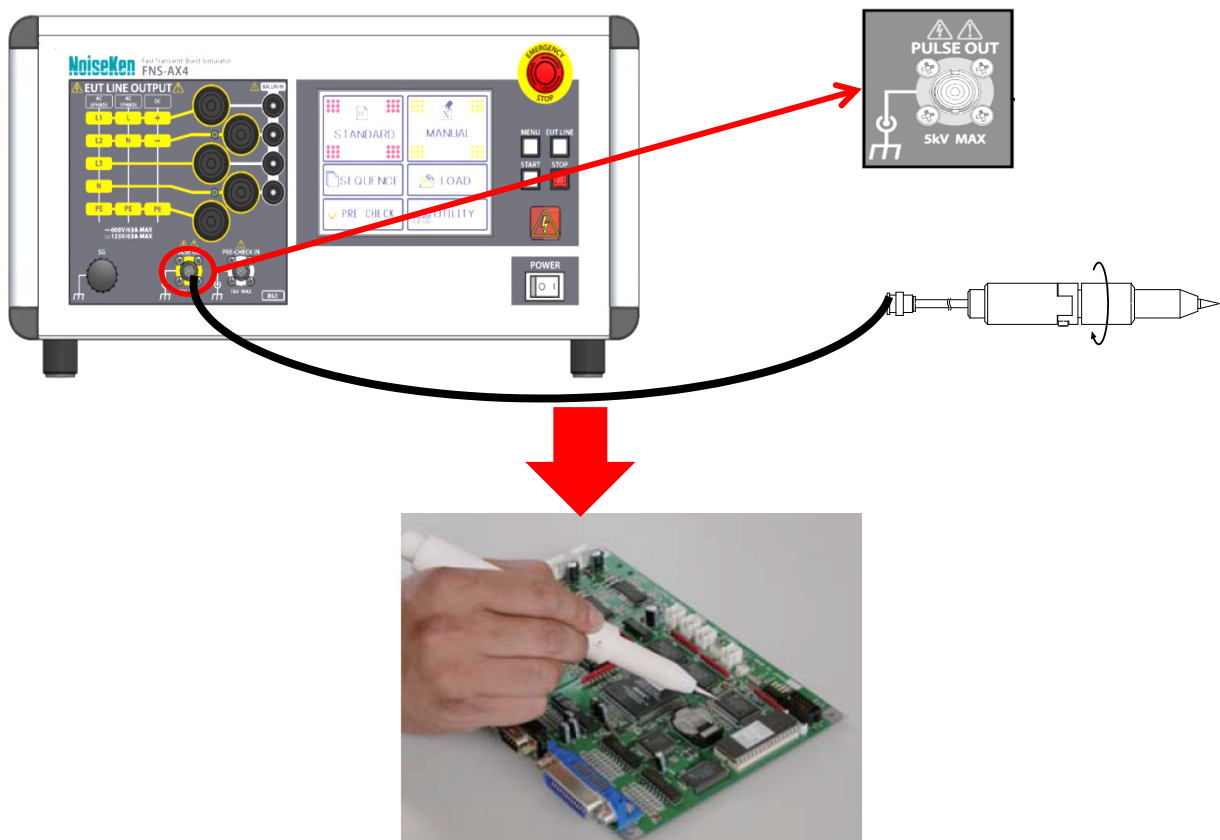


C BOX (Coupling capacitor) is not included in the Unit. Please purchase it separately. Select proper ones considering conditions of your simulator and EUT.

Model	Specification	
06-00039A	220pF ± 20%	~ 20MHz
06-00040A	330pF ± 20%	
06-00041A	3pF ± 10%	
06-00042A	500pF ± 20%	

## 3. Connection

- ① Turn the top part and detach it from the main body. Insert C BOX to be used into the Unit and attach the top part.
- ② Connect the input connector to PULSE OUT of INS or FNS series simulator. Connect the coaxial cable connector firmly with making clicking sound.
- ③ Connect the ground clip to the reference ground to the line to be injected noise.
- ④ After confirming the simulator output voltage is less then 500V, put the discharge tip to a part to be tested and start test procedure.



## 4. Specifications

ITEMS	SPECIFICATIONS
Input voltage	500V MAX
Keeping temperature	-5~55 °C
Usable temperature	15~35 °C
Usable humidity	25~75 %
Applicable impedance	50Ω type