

Coupling Clamp Model: 15-00012A

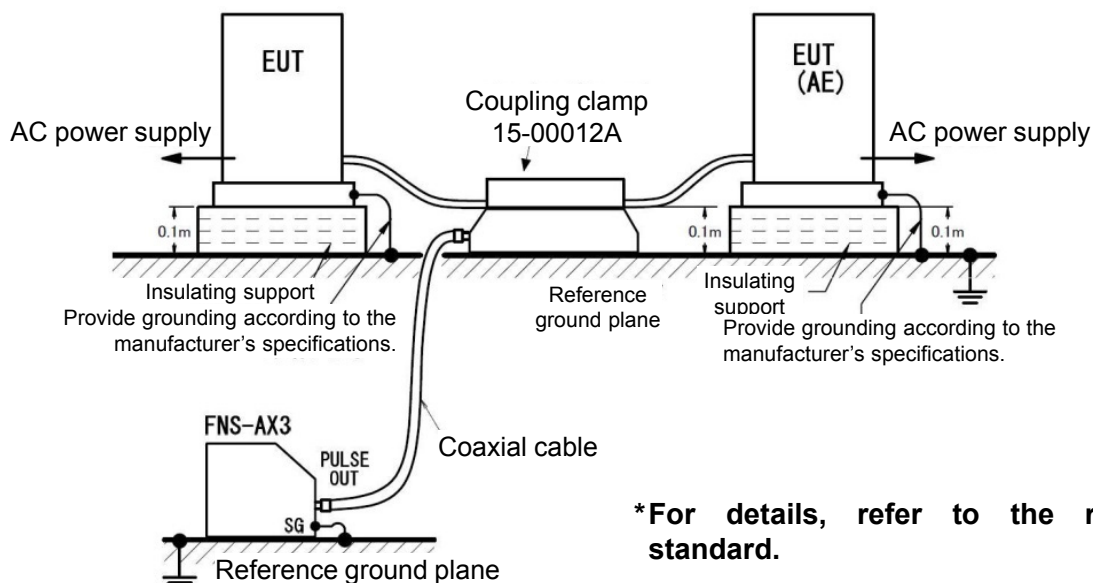
1. Purpose

Coupling clamp for capacitive coupling test on interconnection lines, complying to IEC61000-4-4 Ed.3.

2. Specifications

Item	Specifications
Pulse input connector	NMHV type connector
Coupling waveform	Peak voltage [Vp]: (1000 ± 200) V Rise time [tr]: (5 ± 1.5) ns Pulse width [td]: (50 ± 15) ns * Refer to "4. Waveform verification".
Coupling plate	Length: (1000 ± 50) mm Width: (140 ± 7) mm, handle attached part excluded Width: (160 ± 7) mm, handle attached part included Height from the ground plane: (100 ± 5) mm
External dimensions	(W) 1110 × (H) 189 × (D) 210 mm: Cover closed (W) 1110 × (H) 189 × (D) 439 mm: Cover open
Weight	About 8.5 kg

3. Installation



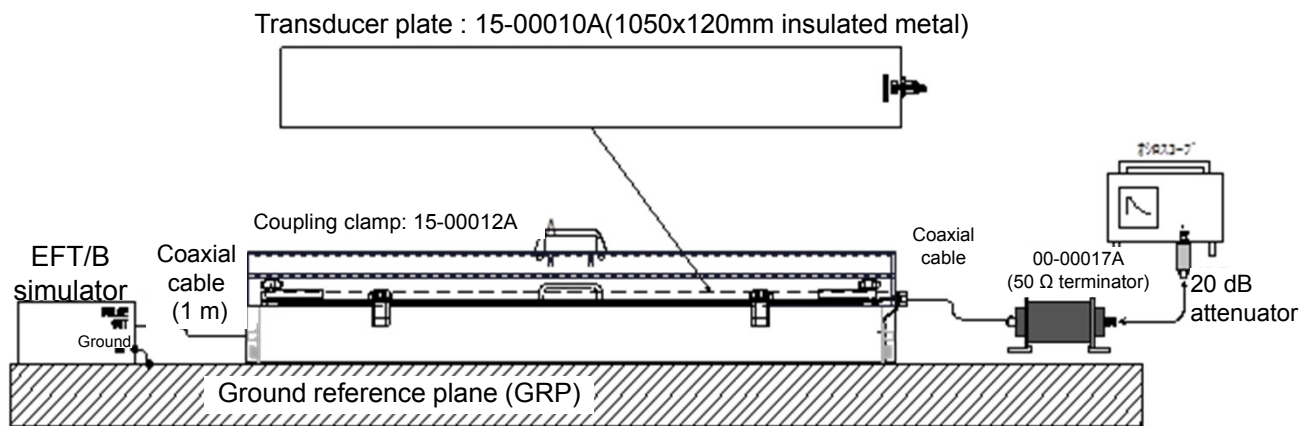
***For details, refer to the relevant standard.**

Exemplary test arrangement

4. Waveform verification

Refer to Section 6.4.2 of IEC 61000-4-4 Ed. 3.

Input pulses of 2 kV (set voltage) through the PULSE OUTPUT connector of the EFT/B simulator and measure the output at the transducer plate (clamp calibration jig: 15-00010A) inserted into the coupling clamp and terminated with 50 Ω .



Exemplary connection for verification