



INSTRUCTION MANUAL

PROTECTIVE SAFETY FENCE
MODEL 11-00010A

NOISE LABORATORY CO., LTD.

Edition 1.03
AEE00238-00E-0D

Notice

- The contents of this instruction manual (the “Manual”) are subject to change without prior notice.
- No part of the Manual may be reproduced or distributed, in any form or by any means, without the authorization of Noise Laboratory Co., Ltd. (the “Company”).
- The contents of the Manual have been thoroughly examined. However, if you find any problems, misprints, or missing information, please feel free to contact our sales agent who you purchased our product from.
- The Company assumes no responsibility for any loss or damage resulting from improper usage, failure to follow the Manual, or any repair or modifications of this product undertaken by a third party other than the Company or the agent authorized by the Company.
- The Company assumes no responsibility for any loss or damage resulting from remodeling or conversion solely undertaken by the user.
- Please note that the Company cannot be held responsible for any consequences arising from the use of this product.
- Product names and business names referred to in the Manual are generally trademarks or registered trademarks of third parties. Those trademarks have nothing to do with the Company. ® and TM are not always referred to in this manual.

1. BASIC SAFETY PRECAUTIONS

1. Safety symbols and their meanings



It expresses a DANGER.

Indicates an imminent danger that may cause death or severe injury if the instructions are ignored.



It expresses a WARNING.

Indicates a potential danger that may cause death or severe injury if the instructions are ignored.



It expresses a CAUTION.

Indicates a potential danger that may cause minor or moderate injury if the instructions are ignored.

2. Basic safety precautions

In addition to this Instruction Manual, thoroughly read the instruction manual for each noise generator before using the protective safety fence.



1. The protective safety fence is placed around the noise generator. Carefully handle the fence, since the noise generator produces high voltage/high current surges. Improper or negligent operation may cause fatal injury [precaution for human body, operation, environment, and connection].
2. Noise Laboratory Co., Ltd. and its distributors assume no liability for any injury or property damage arising from improper use of the product or any incidental damages [precaution for human body, operation, environment, and connection].

CAUTION 注意

1. Make sure that the connectors and hooked chain are secure [precaution for connection].
2. Use the parts supplied with the product and designated optional accessories to ensure safety.
3. Do not use or store the product under high or low temperatures (operating ambient temperature: 15 to 35 °C/Operating ambient humidity: 25 to 75%) [precaution for environment].
4. Avoid using the product in a highly humid or dusty place [precaution for environment].
5. Do not apply strong impact to the product.
6. Only service engineers designated by Noise Laboratory are allowed to perform repair or maintenance.
7. Do not use thinner or alcohol to clean the product. If necessary, wipe the product using a cloth dampened with neutral detergent and squeezed out.

2. APPLICATION FORM FOR INSTRUCTION MANUAL

To: Noise Laboratory Co., Ltd.

We place an order for an instruction manual.

MODEL:

Serial No.:

Applicant:

Company name: _____

Address: _____

Department: _____

Person in charge: _____

Tel No.: _____

Fax No.: _____

**Cut off this page "APPLICATION FORM FOR INSTRUCTION MANUAL "
from this volume and keep it for future use with care.**

When an INSTRUCTION MANUAL is required, fill in the above Application Form and mail or fax it to the following sales department of our company.

3. CONTENTS

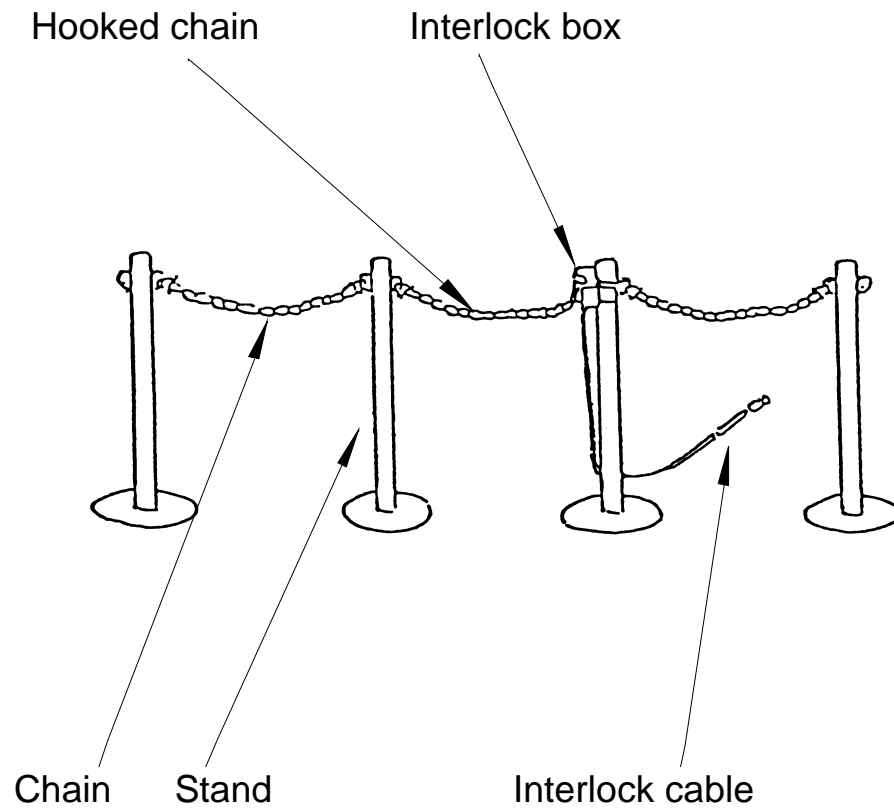
1. BASIC SAFETY PRECAUTIONS.....	1
2. APPLICATION FORM FOR INSTRUCTION MANUAL.....	3
3. CONTENTS	5
4. INTRODUCTION	6
5. APPEARANCE OF THE PROTECTIVE SAFETY FENCE.....	7
6. CONNECTION TO EQUIPMENT	8
7. OPERATION.....	9
8. MAIN COMPONENTS AND ACCESSORIES.....	10
9. WARRANTY	11
SERVICING TERMS.....	11
LIMITED WARRANTY	12
10. MAINTENANCE	13
11. NOISE LABORATORY SUPPORT NETWORK.....	13

4. INTRODUCTION

We thank you very much for your buying the PROTECTIVE SAFETY FENCE (11-00010A). In order to obtain the maximum performance of your PROTECTIVE SAFETY FENCE, thoroughly read this book before use.

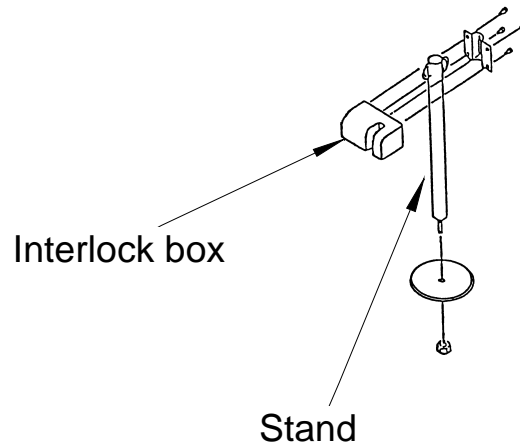
- This Instruction Manual is intended to allow a person who can obey the connecting method and instructions to handle and utilize 11-00010A safely.
- Keep this Instruction Manual in a readily accessible place.
- This PROTECTIVE SAFETY FENCE is designed to ensure safety during lightning surge testing by keeping people away from the lightning surge simulator.

5. APPEARANCE OF THE PROTECTIVE SAFETY FENCE



6. CONNECTION TO EQUIPMENT

1. Assemble the stands as shown below.
Attach the interlock box to either one of the four stands.



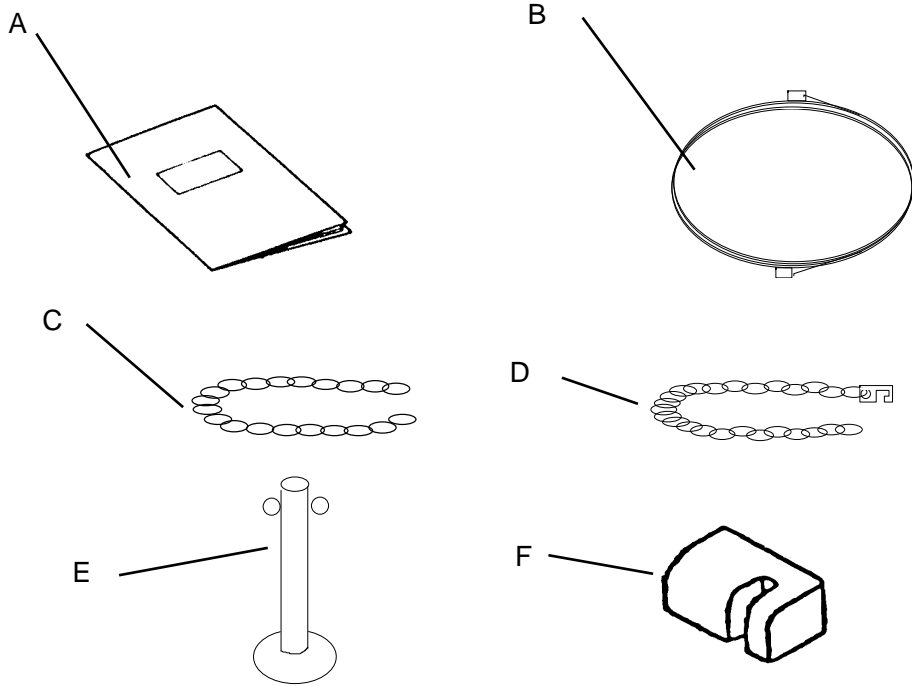
2. Attach the chains between the stands (see the figure on page 7).
3. Plug the connector at one end of the interlock cable supplied with the product into the connector port on the interlock box. Plug the connector at the other end of the cable into the interlock signal input port on the noise generator.

7. OPERATION

1. Attaching the hook on the hooked chain to the interlock box enables the high voltage circuit in the lightning surge simulator to run.
2. Unhooking during lightning surge testing turns off the high voltage circuit to stop the simulator operation.
3. To resume the test, attach the hook to the interlock box again and reset the simulator.

(Note) The simulator operates only with the interlock cable connected.

8. MAIN COMPONENTS AND ACCESSORIES



A: Instruction Manual	1
B: Interlock cable (10 m)	1
C: Chain (1.7 m)	2
D: Hooked chain (1.7 m)	1
E: Stand	4
F: Interlock box	1

9. WARRANTY

Servicing terms

The following terms are applicable to servicing by Noise Laboratory Co., Ltd., (hereafter referred to as the Company) provided to maintain the intended performance of its products.

1. Scope

The following terms shall apply only to products made by the Company.

2. Technical servicing fee

In the event of a failure of a product within the warranty period (see warranty section), the Company will repair a product without charge. After the warranty expires, repairs will be billed at a nominal cost.

3. Ownership of defective parts

Any defective part exchanged under the Company's servicing belongs to it.

4. Limited liability

In the event that damages resulting from servicing by the Company are intentional or caused by negligence, the Company will pay the cost but at the purchase value of the relevant product maximum. But, notwithstanding the foregoing, the Company shall not be responsible for any incidental or consequential damages of any nature, including without limitation thereof loss of would-be profit or compensation demanded from a third party

5. Refusal to offer servicing

The company may not accept a repair order in the following cases:

- More than 5 years have passed since the product discontinued
- More than 8 years have passed after delivery
- Required component for servicing already discontinued and no alternative is available.
- Product changed, repaired or remodeled without obtaining a prior permission from the Company.
- Product severely damaged to the extent it has lost its original form

Limited warranty

Noise Laboratory Co., Ltd. (hereafter referred to as the Company) warrants its products to be free from defects in materials and workmanship under normal use and service for a period of one year from date of delivery. In the event of failure of a product covered by this warranty, the Company will repair the product or may, at its option, replace it in lieu of repair without charge.

Notwithstanding the foregoing, the Company shall not be responsible for any incidental or consequential damages of any nature, including without limitation thereof loss of would-be profit or compensation demanded from a third party. This warranty is valid only in Japan.

1. Scope

This warranty shall only apply to products made by the Company.

2. Period

One year from date of delivery. The warranty may be valid in 6 months after servicing if the same failure on the same component has repeated.

3. Exclusions

The followings are exclusions from this warranty:

- Consumable parts (including HV relay)
- Failure caused by misuse, neglect, accident or abnormal conditions of operation
- Failure caused by remodeling on the user side without prior permission from the Company
- Failure caused by servicing by unauthorized personnel by the Company
- Failure due to force majeure including but not limited to, acts of God, fire, war, riot, rebellion and others
- Failure due to shock or drop in or after transit
- Failure due to operation in environment being out of ambient specifications.
- A unit shipped to overseas.

10. MAINTENANCE

1. Ensure that only qualified service engineers perform repair, maintenance, and internal adjustment.
2. User maintenance should be limited to external cleaning and function check-up.
3. When inspecting/replacing the fuse (if possible), power off the protective safety fence and equipment connected to it (if possible) and then disconnect the power supply.
4. Before cleaning, power off the protective safety fence and equipment connected to it (if possible) and then disconnect the power supply.
5. Use a soft cloth dampened with a bit of water or neutral detergent to lightly wipe off any dust from the external surfaces.
6. Do not remove the covers unless specifically instructed to do so.

11. NOISE LABORATORY SUPPORT NETWORK

- If failure is suspected, identify the problem and the product's model and serial number. Then, contact the distributor or the Customer Service Center.
- When returning the product, detail the failure/problem and the request and identify the product's model and serial number in the repair request form. Send the product fully packed in its original or equivalent packaging for transport.

□Customer Service Center

TEL: (0088) 25-3939 (toll-free)/+81-(0)42-712-2021

FAX: +81-(0)42-712-2020

NOISE LABORATORY CO., LTD.

1-4-4, Chiyoda, Chuo-ku, Sagamihara City, Kanagawa Pref., 252-0237, Japan

TEL: +81-(0)42-712-2051 FAX: +81-(0)42-712-2050

URL: <http://www.noiseken.co.jp>

Printed in Japan