

## INSTRUCTION MANUAL

### EXTERNAL BREAKER BOX (20A)

Model: 18-00072A

NOISE LABORATORY Co., Ltd

Edition 1.03

AEB00333-00E-0D

#### CONTENTS

1. IMPORTANT SAFETY PRECAUTIONS .....	1
2. PREFACE .....	1
3. BASIC SAFETY PRECAUTIONS .....	1
4. MAIN UNIT AND ACCESSORIES .....	2
5. OPERATION .....	2
6. SPECIFICATIONS .....	3
7. WARRANTY .....	4
8. MAINTENANCE .....	5
9. SUPPORTR NETWORK .....	5
10. APPLICATION FORM .....	7

#### Notice

The contents of this booklet are subject to change without prior notice.

No part of this booklet may be reproduced or transferred, in any form, for any purpose, without the permission of Noise Laboratory Co., Ltd.

The contents of this booklet have been thoroughly checked. However, if a doubtful point, an error in writing or a missing is found, please contact us.

Noise Laboratory Co., Ltd. shall have no liability for any trouble resulting from the misuse or improper handling of this product regardless of the contents of this booklet or arising from the repair or remodeling of this product by a third party other than Noise Laboratory Co., Ltd. or its authorized person.

Noise Laboratory Co., Ltd. shall have no liability for any trouble resulting from the remodeling or modification of this product.

In no event shall Noise Laboratory Co., Ltd. be liable for any results arising from the use of this product.

### 1. IMPORTANT SAFETY PRECAUTIONS

Thoroughly understand the following precautions before use, as they are important matters for handling the external breaker box 18-00072A (hereinafter "the Unit") in safety.

- Before connecting to Equipment Under Test (hereinafter "EUT"), the power supply for EUT, and the simulator, be sure to check all powers are in OFF position. You may get an electric shock by the generated pulse or the power supply for EUT.**
- Be sure to use an isolation transformer to supply AC power to EUT LINE INPUT. Otherwise, you may get an electric shock, or the leakage current may make the circuit breaker of power supply trip.**
- When changing connections, never fail to turn the power of simulator OFF and stop the power supply to EUT LINE INPUT. Even after turning OFF, wait for more than 5 seconds and start connecting. Otherwise you may get electric shock.**

### 2. PREFACE

We thank you for your purchasing External breaker box, model: 18-00072A. In order to the highest performance of the Unit, thoroughly understand the contents of this manual..

- The Unit is the external breaker box for NoiseKen's Impulse Noise Simulators.
- Keep this Instruction Manual a place where it is readily available.

### 3. BASIC SAFETY PRECAUTIONS

- Mishandling or careless operation may result in a fatal wound.**  
【Precautions for human body, operation, environments, and connection】

- Before connecting the Unit, be sure to turn each power supply and the circuit breaker of the distributor OFF. Otherwise you may get an electric shock.**

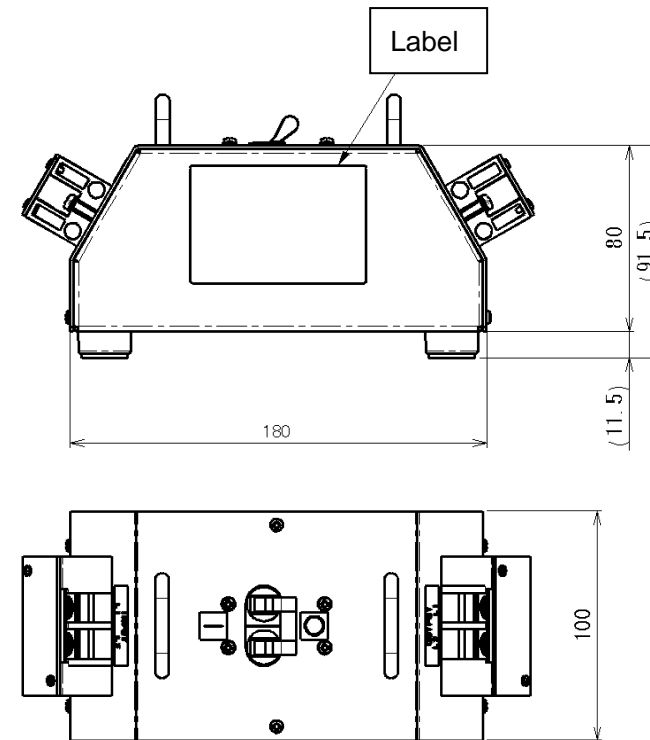
【Precautions for human body and connection】

- Our company and sales agents shall have no responsibility for any accident resulting in injury or death, any breakage or resultant damages due to irresponsible handling.**

【Precautions for human body, operation, environments, and connection】

### 4. MAIN UNIT AND ACCESSORIES

External Breaker Box (Main unit): 18-00072A



**Input Cable 2pcs**

(M5 solderless pressure terminals - AWG8 2m – Untreated)

**Output Cable 2pcs**

(M5 solderless pressure terminals - AWG8 2m – M5 solderless pressure terminals)

### 5. OPERATION

#### ⚠ DANGER 危険

When you connect the Unit to the power supply for EUT (a power distributor) and to the Impulse Noise Simulator, be sure to confirm that every related instrument is turned OFF. Failure to follow this instruction might cause an electric shock with electricity from the distributor, pulse from the simulator, and so on.

#### ① Connection between the Unit and the distributor

Connect the M5 solderless pressure terminal side of

the Input cable to the INPUT terminal of the Unit. As for the untreated other end, install a solderless pressure terminal which is proper to the distributor and connect it to the distributor.

#### ② Connection between the Unit and the Impulse Noise Simulator

Connect OUTPUT terminal of the Unit to the EUT LINE INPUT (input terminal for EUT power supply) of the simulator with Output cable.

#### ③ Connection between the Simulator and the EUT

Connect the EUT to the OUTPUT terminal of the simulator with a proper cable. After confirming the all related wiring is right, turn ON the line breaker of the distributor and the Unit.

Use this product with following the specifications as below.

### 6. SPECIFICATIONS

Rated Voltage	AC250V 50/60Hz DC65V
Rated Current	20A
Endurance	10,000 times or more open/close (Rated open/close 6,000 times, No load open/close 4,000 times, 6 times / minutes)
Operating Temperature	15 - 35°C
Operating Humidity	25 - 75% (Without dew condensation)
Dimensions	(W)180 x (H)92 x (D)100mm (Excluding projections)
Weight	Approximately 0.75kg

## 7. WARRANTY

### Servicing terms

The following terms are applicable to servicing by Noise Laboratory Co., Ltd., (hereafter referred to as the Company) provided to maintain the intended performance of its products.

- Scope**  
The following terms shall apply only to products made by the Company.
- Technical servicing fee**  
In the event of a failure of a product within the warranty period (see warranty section), the Company will repair a product without charge. After the warranty expires, repairs will be billed at a nominal cost.
- Ownership of defective parts**  
Any defective part exchanged under the Company's servicing belongs to it.
- Limited liability**  
In the event that damages resulting from servicing by the Company are intentional or caused by negligence, the Company will pay the cost but at the purchase value of the relevant product maximum. But, notwithstanding the foregoing, the Company shall not be responsible for any incidental or consequential damages of any nature, including without limitation thereof loss of would-be profit or compensation demanded from a third party.
- Refusal to offer servicing**  
The company may not accept a repair order in the following cases:
  - More than 5 years have passed since the product discontinued
  - More than 8 years have passed after delivery
  - Required component for servicing already discontinued and no alternative is available.
  - Product changed, repaired or remodeled without obtaining a prior permission from the Company.
  - Product severely damaged to the extent it has lost its original form

### Limited warranty

The company warrants its products to be free from defects in materials and workmanship under normal use and service for a period of one year from date of delivery. In the event of failure of a product covered by this warranty, the Company will repair the product or may, at its option, replace it in lieu of repair without charge.

Notwithstanding the foregoing, the Company shall not be responsible for any incidental or consequential damages of any nature, including without limitation thereof loss of would-be profit or compensation demanded from a third party. This warranty is valid only in Japan.

- Scope**  
This warranty shall only apply to products made by the Company.
- Period**  
One year from date of delivery. The warranty may be valid in 6 months after servicing if the same failure on the same component has repeated.
- Exclusions**  
The followings are exclusions from this warranty:

- Consumable parts (including HV relay)
- Failure caused by misuse, neglect, accident or abnormal conditions of operation
- Failure caused by remodeling on the user side without prior permission from the Company
- Failure caused by servicing by unauthorized personnel by the Company
- Failure due to force majeure including but not limited to, acts of God, fire, war, riot, rebellion and others
- Failure due to shock or drop in or after transit
- Failure due to operation in environment being out of ambient specifications.
- A unit shipped to overseas.

## 8. MAINTENANCE

1. When repair, maintenance or internal adjustment of the unit is required, a qualified service engineer takes charge of such work.
2. Maintenance on the user side is restricted to the outside cleaning and functional check of the unit.
3. When checking or replacing the fuse, turn off the switch of the unit and disconnect the plug socket beforehand.
4. When cleaning the unit, turn off the switch of this unit and the connected equipment and disconnect the plug socket beforehand.
5. Avoid using chemicals for cleaning. Otherwise, the coating of the unit may peel off or the sight glass may be broken.
6. Do not open the cover of this unit.

## 9. SUPPORT NETWORK

- If a symptom that seems a trouble is found, check the symptom against the following check sheet and inform the model name and serial Number of the product together with the symptom to Noise Laboratory or its distributor/agent nearest to you.
- When the product is returned to Noise Laboratory, write the state of the trouble, contents of your request, model name and serial number in a repair order, pack the product and repair order sheet in the former package or equivalent suitable for transit, and send them back.

### For repair and other services, contact:

International Sales & Marketing Section.  
NOISE LABORATORY CO., LTD.  
1-4-4 Chiyoda, Chuo-ku Sagami-hara-City,  
Kanagawa Pref.  
252-0237, Japan  
Tel: +81-42-712-2051  
Fax: +81-42-712-2050

## 10. APPLICATION FORM

We apply for buying INSTRUCTION MANUAL.

**Model: 18-00072A**

Applicant's address:

Company name:

Section:

Name of person in charge:

TEL:

FAX:

Cut off this page "APPLICATION FORM" from this booklet and keep it for future use with care.

When an INSTRUCTION MANUAL is required, fill out the above Application Form and mail or fax it to NOISE LABORATORY CO., LTD. or our sales agent.

NOISE LABORATORY CO., LTD.  
1-4-4 Chiyoda, Chuo-ku Sagami-hara-City,  
Kanagawa Pref.  
252-0237, Japan  
TEL:+81-42-712-2051 / FAX: +81-42-712-2050