

NoiseKen

INSTRUCTION MANUAL

INSULATING TRANSFORMER UNIT

MODEL TF-2302P

NOISE LABORATORY CO., LTD.

2.07 Edition
AEK00002-00E-1H

NOTICE

- The contents of this instruction manual are subject to change without prior notice.
- No part of this instruction manual may be reproduced or distributed, in any form or by any means, without the authorization of Noise Laboratory Co., Ltd.
- The contents of this instruction manual have been thoroughly examined. However, if you find any problems, misprints, or missing information, please feel free to contact our sales agent who you purchased our product from.
- Noise Laboratory Co., Ltd. assumes no responsibility for any loss or damage resulting from improper usage, failure to follow this instruction manual, or any repair or modifications of this product undertaken by a third party other than Noise Laboratory Co., Ltd. or its authorized person.
- Noise Laboratory Co., Ltd. assumes no responsibility for any loss or damage resulting from remodeling or conversion solely undertaken by the user.
- Please note that Noise Laboratory Co., Ltd. cannot be held responsible for any consequences arising from the use of this product.

1. IMPORTANT SAFETY PRECAUTIONS

As each of the following items is very important matter to be attended, thoroughly read it before operation of this unit.

- 1. This unit cannot be used in a fire prohibited area or other explosive areas. If used in such an area, this unit is liable to cause combustion or ignition due to electric discharge, etc.**
- 2. For surge and other conducted interference test, this unit shall be mainly used for isolation of the EUT power lines from the mains to cancel ground leak currents. In this connection, strictly observe the safety precautions of the surge simulator or other being used with this unit. Nonobservance may result in a lethal wound.**
- 3. For connection of this unit, check to see that all related power are off: mains, surge simulator or other equipment, the equipment under test. Nonobservance may result in a shock hazard by mains supply voltages.**
- 4. Before carrying out a set-up or test, peruse the later part, Basic Safety Precautions to use this unit**

2. APPLICATION FORM FOR INSTRUCTION MANUAL

We place an order for an instruction manual.

Model: TF-2302P

Serial No.: _____

Applicant:

Company name: _____

Address: _____

Department: _____

Person in charge: _____

Tel No.: _____

Fax No. _____

Cut off this page "APPLICATION FORM FOR INSTRUCTION MANUAL" from this volume and keep it for future use with care.

When an INSTRUCTION MANUAL is required, fill in the above Application Form and mail or fax it to the following sales department of our company.

To: Noise Laboratory Co., Ltd.

1-4-4 Chiyoda, Chuo-ku, Sagami-hara Kanagawa Pref. , 252-0237 Japan

Tel: +81-(0)42-712-2051 Fax: +81-(0)42-712-2050

Cut Line

Cut Line

3. TABLE OF CONTENTS

1. IMPORTANT SAFETY PRECAUTIONS.....	1
2. APPLICATION FORM FOR INSTRUCTION MANUAL.....	3
3. TABLE OF CONTENTS	5
4. PREFACE.....	6
5. BASIC SAFETY PRECAUTIONS TO USE THIS UNIT.....	7
6. SPECIFICATIONS.....	9
7. Appearance and serial number position.....	10
8. ACCESSORIES.....	12
9. WARRANTY.....	13
10. MAINTENANCE.....	15
11. NOISE LABORATORY SUPPORT NETWORK.....	16

4. PREFACE

4-1. Preface

Thank you very much for your purchase of Insulating Transformer Unit Model TF-2302P. In order to obtain the highest performance of your TF-2302P, thoroughly read this manual and use it as ready reference for operation.

4-2. What the TF-2301 can do.

Model TF-2302P is a single-phase insulating transformer rated AC240V/30A and dielectric strength of 4kV. It can be used for EUT supply line to NoiseKen Lightning Surge Simulator LSS-15AX series models and can also be widely used for various noise testers and measuring equipment.

5. BASIC SAFETY PRECAUTIONS TO USE THIS UNIT

5-1. Symbols of hazard



It expresses a DANGER.

DANGER indicates an impending dangerous condition resulting in a serious **injury** or **death**, if such a condition is not avoided.



It expresses a WARNING.

WARNING indicates a potentially hazardous situation which, if not avoided, could result in **death** or **serious injury**.



It expresses a CAUTION.

CAUTION indicates a potentially hazardous situation which, if not avoided, may result in **minor or moderate injury**.

5-2. Basic safety precautions



- 1. For surge and other conducted interference test, this unit shall be mainly used for isolation of the EUT power lines from the mains to cancel ground leak currents. In this connection, strictly observe the safety precautions of the surge simulator or other being used with this unit. Nonobservance may result in a lethal wound.**
【Precautions for human body, operation, environments and connection】
- 2. This unit cannot be used in an explosive area, fire prohibited area, etc. Use of this unit in such an area is liable to cause combustion or ignition.**
【Precautions for human body and environments】
- 3. For connection of this unit, check to see that all related power are off: mains, surge simulator or other equipment, the equipment under test. Nonobservance may result in a shock hazard by mains supply voltages.**
【Precautions for connections】
- 4. As the terminal base used in this unit is so designed that electric wire is directly caught by the terminal base. Single or stranded wires shall be used. Do not solder the stripped wires. Follow the instructions given in section 7 in this manual.**
【Precautions for connections】

 **WARNING 警告**

5. **As high voltage is generated inside the unit, do not open the cover of this unit.**
【Precautions for human body】
6. **Our company and sales agents shall have no responsibility for any accident resulting in injury or death, any breakage or resultant damages due to irresponsible handling.**
【Precautions for human body, operation, environments and connection】
7. **Do not connect a cable etc. to any terminal unnecessary for setting a test. Do not mistake cable setting or connection. Otherwise, you may receive an electric shock or the internal unit of this unit and equipment connected to it may be damaged.**
【Precautions for human body, operation and connection】
8. **Connect each connector and cable securely. Otherwise, you may receive an electric shock or the internal unit of this simulator and equipment connected to it may be damaged.**
【Precautions for human body and connection】
9. **Use the accessories and optional equipment supplied by our company.**
【Precautions for human body and connection】
10. **Be sure to ground PE terminal (earth cover) of this unit.**
【Precautions for human body and connection】
11. **Avoid giving a strong shock to this unit. This unit weighs approx. 60 kgs. Lock the casters for installation.**
【Precautions for installation】

 **CAUTION 注意**

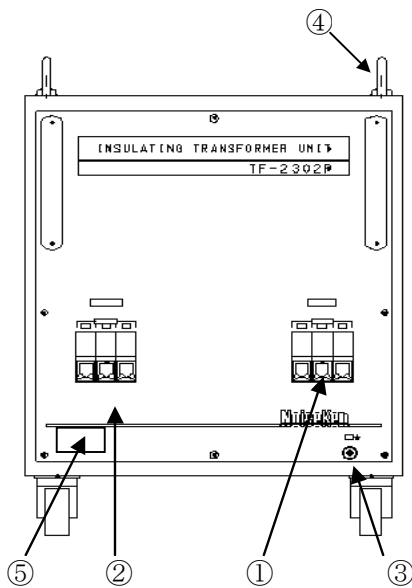
12. **Use the unit within the range of AC100 to 240V. Avoid applying voltage exceeding this range.**
【Precautions for connection】
13. **Avoid using or storing the unit in high or low temperature environment. (Operating temperature range: 15 ~35°C)**
【Precautions for environments】
14. **If dewing or condensation occurs, thoroughly dry it before operating the unit.**
【Precautions for environments】

- 15. **Avoid using this unit in an extremely humid or dusty place.**
(Operating humidity range: 25~75%)
 【Precautions for environments】
- 16. **Repair, maintenance and internal adjustment of this unit should be performed by a qualified service engineer.**
- 17. **Do not wipe this unit with thinner, alcohol or similar solvent. When the body is dirty, soak a cloth in detergent, squeeze the cloth and wipe the body with it.**

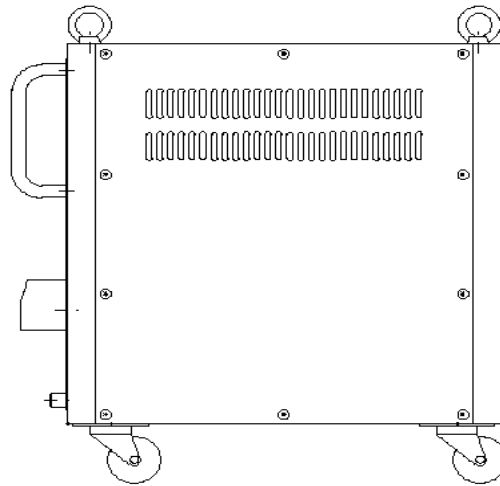
6. SPECIFICATIONS

Maximum input voltage.....	Single phase AC240V (50/60Hz)
Maximum output current.....	30A maximum
Dielectric strength.....	Primary side - Core AC4kV (1 minute)
	Secondary side- Core AC4kV (1 minute)
	Primary side- Secondary side AC4kV (1 minute)
Insulation resistance.....	100MΩ or more at DC500V
Dimensions.....	350(w) x 475(h) x 400(d)mm
	(Except eye bolt and handle)
Weight.....	Approx. 60kg

7. APPEARANCES AND SERIAL NUMBER POSITION



[Front view]



[Side view]

① AC LINE INPUT TERMINAL BASE

AC power line input terminal base

② AC LINE OUTPUT TERMINAL BASE

AC power line output terminal

③ PE TERMINAL (EARTH)

Protective Terminal of this unit. Be sure to connect this terminal to the ground to assure safety.

④ EYE BOLT

It is used to suspend this unit in case of transit.

⑤ SERIAL NUMBER LABEL

It indicates Model Number and Serial Number of this unit.

- **The maximum output current of this unit is 30A. Never draw output current exceeding 30A from this unit, otherwise it may be burn.**
- **As the terminal base used in this unit is so designed that electric wire is directly caught by the terminal base, peel off the coating of the supplied cable or an appropriate one and connect it directly to the terminal base. (Not solder the stripped wire) Referring to the following required torque, securely tighten the screws with bigger torque (about 6-8 Nm) than usual by a dedicated screwdriver (Phoenix contact SZS1.2x8) or an equivalent that have enough torque. To avoid serious accident, carry out periodic checks for the connections.**

Conforming wire

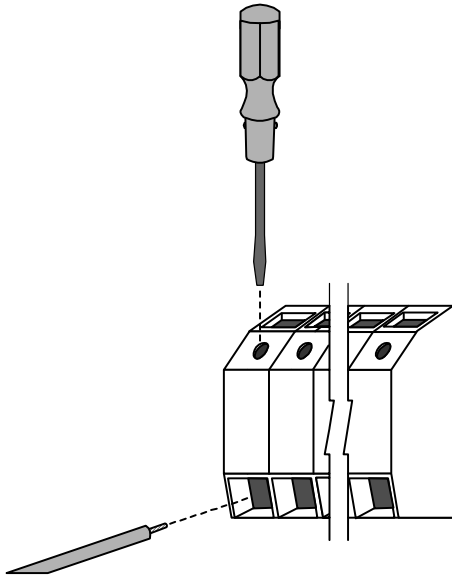
the supplied LINE INPUT cable (with dedicated rod terminals) or a 16~50 mm² single or stranded wire

Fastening torque

6-8 Nm

Recommended screw driver

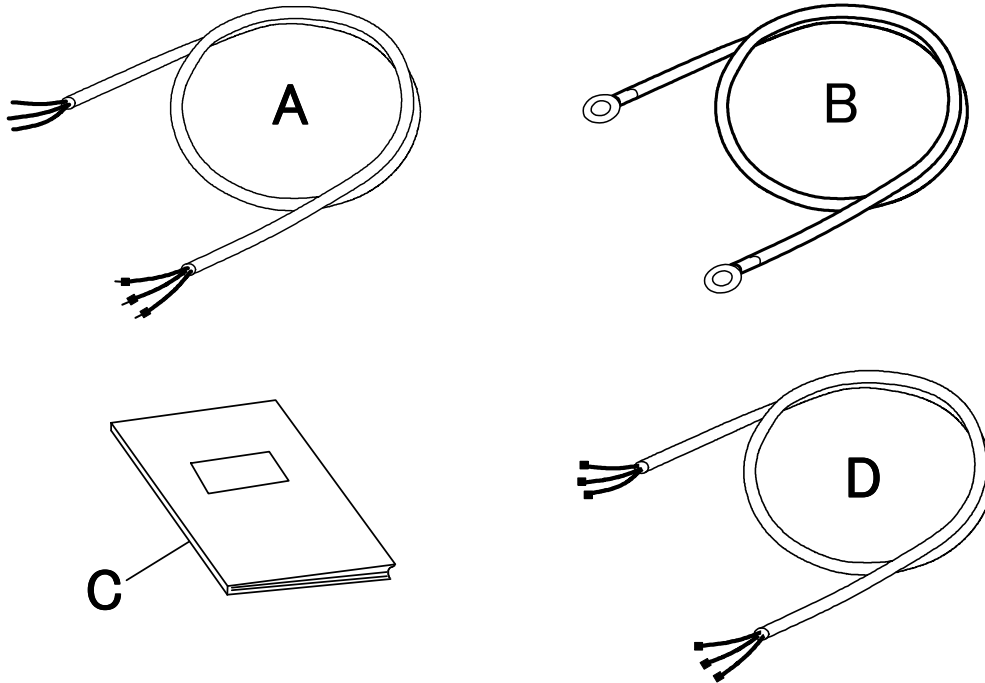
SZS1.2 x 8 (Phoenix Contact)



As shown in the left Fig., peel off the sheath of the cable and insert it in the connector. As there are screw holes, in which the cable are clamped, positioned at the upper part the connector, first loosen the screws also to loosen the movable contacts on the connectors and put the wires onto the contacts and then tighten the screws (slot head) with a screwdriver to fix it securely so that the cables may not be disconnected

8. ACCESSORIES

A set of standard accessories



A: AC single phase line input cable (5.5sq 3-line 3m, One end: with a stick-type soldering terminal, The other end: without terminal).....1

Connect the stick-type soldering terminal side to the AC line input terminal block (INPUT).

B: PE/FG cable (3.5sq 3m Both ends: with a $\phi 6$ ring-type soldering terminal).....1

Connect the PE terminal of this unit to PE or FG terminal of the lightning surge simulator with this cable, if necessary.

C: Instruction Manual (This booklet)1

D: AC single phase line input cable (3.5sq 3-line 2m, One end: with stick-type soldering terminal, The other end: with a $\phi 5$ ring-type soldering terminal).....1

For connecting LSS-F02 series lightning surge simulator. Connect the stick side to the AC line output terminal block (OUTPUT) of this unit and the $\phi 5$ ring side to the AC line input terminal block (AC EUT INPUT) on the input panel of the LSS-F02 series simulator.

9. WARRANTY

Servicing terms

The following terms are applicable to servicing by Noise Laboratory Co., Ltd., (hereafter referred to as the Company) provided to maintain the intended performance of its products.

1. Scope

The following terms shall apply only to products made by the Company.

2. Technical servicing fee

In the event of a failure of a product within the warranty period (see warranty section), the Company will repair a product without charge. After the warranty expires, repairs will be billed at a nominal cost.

3. Ownership of defective parts

Any defective part exchanged under the Company's servicing belongs to it.

4. Limited liability

In the event that damages resulting from servicing by the Company are intentional or caused by negligence, the Company will pay the cost but at the purchase value of the relevant product maximum. But, notwithstanding the foregoing, the Company shall not be responsible for any incidental or consequential damages of any nature, including without limitation thereof loss of would-be profit or compensation demanded from a third party

5. Refusal to offer servicing

The company may not accept a repair order in the following cases:

- More than 5 years have passed since manufacture of a product discontinued
- More than 8 years have passed after delivery
- Repair part for a custom-made product is not available due to discontinued production on the supplier and there is no equivalent available.
- Product changed, repaired or remodeled without obtaining a prior permission from the Company.
- Product which lost its original form

Limited warranty

Noise Laboratory Co., Ltd. (hereafter referred to as the Company) warrants its products to be free from defects in materials and workmanship under normal use and service for a period of one year from date of delivery. In the event of failure of a product covered by this warranty, the Company will repair the product or may, at its option, replace it in lieu of repair without charge.

Notwithstanding the foregoing, the Company shall not be responsible for any incidental or consequential damages of any nature, including without limitation thereof loss of would-be profit or compensation demanded from a third party. This warranty is valid only in Japan.

1. Scope

This warranty shall only apply to products made by the Company.

2. Period

One year from date of delivery. The warranty may be valid in 6 months after servicing if the same failure on the same component has repeated.

3. Exclusions

The followings are exclusions from this warranty:

- Consumable parts (including HV relay)
- Failure caused by misuse, neglect, accident or abnormal conditions of operation
- Failure caused by remodeling on the user side without prior permission from the Company
- Failure caused by servicing by unauthorized personnel by the Company
- Failure due to force majeure including but not limited to, acts of God, fire, war, riot, rebellion and others
- Failure due to shock or drop in or after transit
- Failure due to operation in environment being out of ambient specifications.
- A unit shipped to overseas.

10. MAINTENANCE

1. When repair, maintenance or internal adjustment of the unit is required, a qualified service engineer takes charge of such work.
2. Maintenance on the user side is restricted to the outside cleaning and functional check of the unit.
3. When checking or replacing the fuse, turn off the switch of the unit and disconnect the plug socket beforehand.
4. When cleaning the unit, turn off the switch of this unit and the connected equipment and disconnect the plug socket beforehand.
5. Avoid using chemicals for cleaning. Otherwise, the coating of the unit may peel off or the sight glass may be broken.
6. Do not open the cover of this unit.

11. NOISE LABORATORY SUPPORT NETWORK

- If a symptom which seems a trouble is found, inform the model name and serial number of the product together with the symptom to Noise Laboratory or your nearest sales agent of Noise Laboratory.
- When the product is returned to Noise Laboratory, write the state of the trouble, contents of your request, mode name and serial number in a repair order, and pack the product and repair order sheet in the former package of equivalent suitable for transit and send them back.

NOISE LABORATORY CO., LTD.

1-4-4, Chiyoda, Chuo-ku, Sagamihara City, Kanagawa Pref., 252-0237, Japan

TEL: +81-(0)42-712-2051 FAX: +81-(0)42-712-2050

URL: <http://www.noiseken.co.jp>

Printed in Japan